

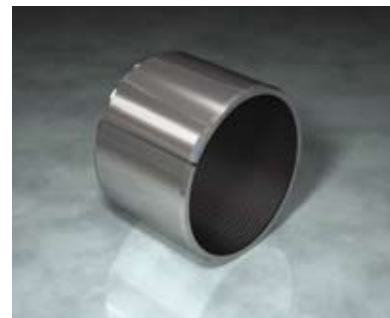
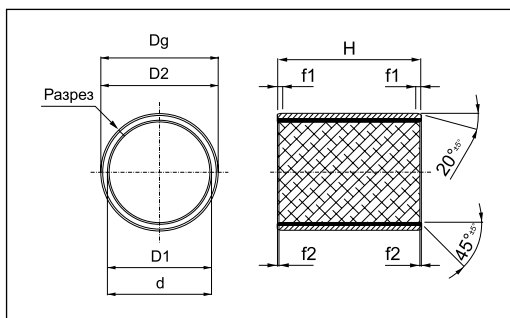
Размеры цилиндрических под-
шипников указаны в соответствии
со стандартом ISO 3547

Артикул изделия:

FRITEX	P	20	15
	Форма		H
Материал		D1	

Допустимые отклонения:

Длина (H) = ± 0.25



Артикул изделия	D1	D2	H	Dg (Диаметр корпуса)	d (Диаметр стержня)
FRITEX P 1008	10	12	08	12.000 ÷ 12.018	9.972 ÷ 9.987
FRITEX P 1010			10		
FRITEX P 1012			12		
FRITEX P 1015			15		
FRITEX P 1020			20		
FRITEX P 1208	12	14	08	14.000 ÷ 14.018	11.966 ÷ 11.984
FRITEX P 1210			10		
FRITEX P 1212			12		
FRITEX P 1215			15		
FRITEX P 1220			20		
FRITEX P 1225	25				
FRITEX P 1405	14	16	05	16.000 ÷ 16.018	13.966 ÷ 13.984
FRITEX P 1410			10		
FRITEX P 1412			12		
FRITEX P 1415			15		
FRITEX P 1420			20		
FRITEX P 1425	25				
FRITEX P 1510	15	17	10	17.000 ÷ 17.018	14.966 ÷ 14.984
FRITEX P 1512			12		
FRITEX P 1515			15		
FRITEX P 1520			20		
FRITEX P 1525			25		
FRITEX P 1610	16	18	10	18.000 ÷ 18.018	15.966 ÷ 15.984
FRITEX P 1612			12		
FRITEX P 1615			15		
FRITEX P 1620			20		
FRITEX P 1625			25		
FRITEX P 1810	18	20	10	20.000 ÷ 20.021	17.966 ÷ 17.984
FRITEX P 1815			15		
FRITEX P 1820			20		
FRITEX P 1825			25		
FRITEX P 2010	20	23	10	23.000 ÷ 23.021	19.959 ÷ 19.980
FRITEX P 2015			15		
FRITEX P 2020			20		
FRITEX P 2025			25		
FRITEX P 2030			30		
FRITEX P 2215	22	25	15	25.000 ÷ 25.021	21.959 ÷ 21.980
FRITEX P 2220			20		
FRITEX P 2230			30		
FRITEX P 2515	25	28	15	28.000 ÷ 28.021	24.959 ÷ 24.980
FRITEX P 2520			20		
FRITEX P 2525			25		
FRITEX P 2530			30		

Артикул изделия	D1	D2	H	Dg (Диаметр корпуса)	d (Диаметр стержня)
FRITEX P 2820	28	32	20	32.000 ÷ 32.025	27.959 ÷ 27.980
FRITEX P 2830			30		
FRITEX P 3015	30	34	15	34.000 ÷ 34.025	29.959 ÷ 29.980
FRITEX P 3020			20		
FRITEX P 3030			30		
FRITEX P 3040			40		
FRITEX P 3220	32	36	20	36.000 ÷ 36.025	31.950 ÷ 31.975
FRITEX P 3240			40		
FRITEX P 3520	35	39	20	39.000 ÷ 39.025	34.950 ÷ 34.975
FRITEX P 3530			30		
FRITEX P 3540			40		
FRITEX P 3550			50		
FRITEX P 4020	40	44	20	44.000 ÷ 44.025	39.950 ÷ 39.975
FRITEX P 4030			30		
FRITEX P 4040			40		
FRITEX P 4050			50		
FRITEX P 4520	45	50	20	50.000 ÷ 50.025	44.950 ÷ 44.975
FRITEX P 4530			30		
FRITEX P 4540			40		
FRITEX P 4550			50		
FRITEX P 5020	50	55	20	55.000 ÷ 55.030	49.950 ÷ 49.975
FRITEX P 5030			30		
FRITEX P 5040			40		
FRITEX P 5050			50		
FRITEX P 5060			60		
FRITEX P 5520	55	60	20	60.000 ÷ 60.030	54.940 ÷ 54.970
FRITEX P 5530			30		
FRITEX P 5540			40		
FRITEX P 5550			50		
FRITEX P 5560			60		
FRITEX P 6030	60	65	30	65.000 ÷ 65.030	59.940 ÷ 59.970
FRITEX P 6040			40		
FRITEX P 6060			60		
FRITEX P 6540	65	70	40	70.000 ÷ 70.030	64.940 ÷ 64.970
FRITEX P 6570			70		
FRITEX P 7040	70	75	40	75.000 ÷ 75.030	69.940 ÷ 69.970
FRITEX P 7050			50		
FRITEX P 7070			70		
FRITEX P 7560	75	80	60	80.000 ÷ 80.030	74.940 ÷ 74.970
FRITEX P 7580			80		
FRITEX P 8060	80	85	80	85.000 ÷ 85.035	79.954 ÷ 80.000
FRITEX P 80100			100		
FRITEX P 8530	85	90	30	90.000 ÷ 90.035	84.946 ÷ 85.000
FRITEX P 8560			60		
FRITEX P 85100			100		
FRITEX P 9060	90	95	60	95.000 ÷ 95.035	89.946 ÷ 90.000
FRITEX P 90100			100		
FRITEX P 9560	95	100	60	100.000 ÷ 100.035	94.946 ÷ 95.000
FRITEX P 95100			100		
FRITEX P 10060	100	105	60	105.000 ÷ 105.035	99.946 ÷ 100.000
FRITEX P 100115			115		
FRITEX P 10560	105	110	60	110.000 ÷ 110.035	104.946 ÷ 105.000
FRITEX P 105115			115		
FRITEX P 11060	110	115	60	115.000 ÷ 115.035	109.946 ÷ 110.000
FRITEX P 110115			115		

Артикул изделия	D1	D2	H	Dg (Диаметр корпуса)	d (Диаметр стержня)
FRITEX P 11550	115	120	50	120.000 ÷ 120.035	114.946 ÷ 115.000
FRITEX P 11570			70		
FRITEX P 12060	120	125	60	125.000 ÷ 125.040	119.946 ÷ 120.000
FRITEX P 120100			100		
FRITEX P 13060	130	135	60	135.000 ÷ 135.040	129.937 ÷ 130.000
FRITEX P 130100			100		
FRITEX P 13540	135	140	40	140.000 ÷ 140.040	134.937 ÷ 135.000
FRITEX P 13580			80		
FRITEX P 14060	140	145	60	145.000 ÷ 145.040	139.937 ÷ 140.000
FRITEX P 140100			100		
FRITEX P 15060	150	155	60	155.000 ÷ 155.040	149.937 ÷ 150.000
FRITEX P 15080			80		
FRITEX P 150100			100		
FRITEX P 16080	160	165	80	165.000 ÷ 165.040	159.937 ÷ 160.000
FRITEX P 160100			100		
FRITEX P 18060	180	185	60	185.000 ÷ 185.046	179.937 ÷ 180.000
FRITEX P 180100			100		

Допустимые размеры паза:

Артикул	Артикул	f1	f2
FRITEX P 1008	FRITEX P 1825	0.20÷1.00	0.10÷0.50
FRITEX P 2010	FRITEX P 2530	0.20÷1.00	0.10÷0.70
FRITEX P 2820	FRITEX P 4050	0.80÷1.60	0.10÷0.70
FRITEX P 4520	FRITEX P 180100	1.20÷2.40	0.20÷1.00